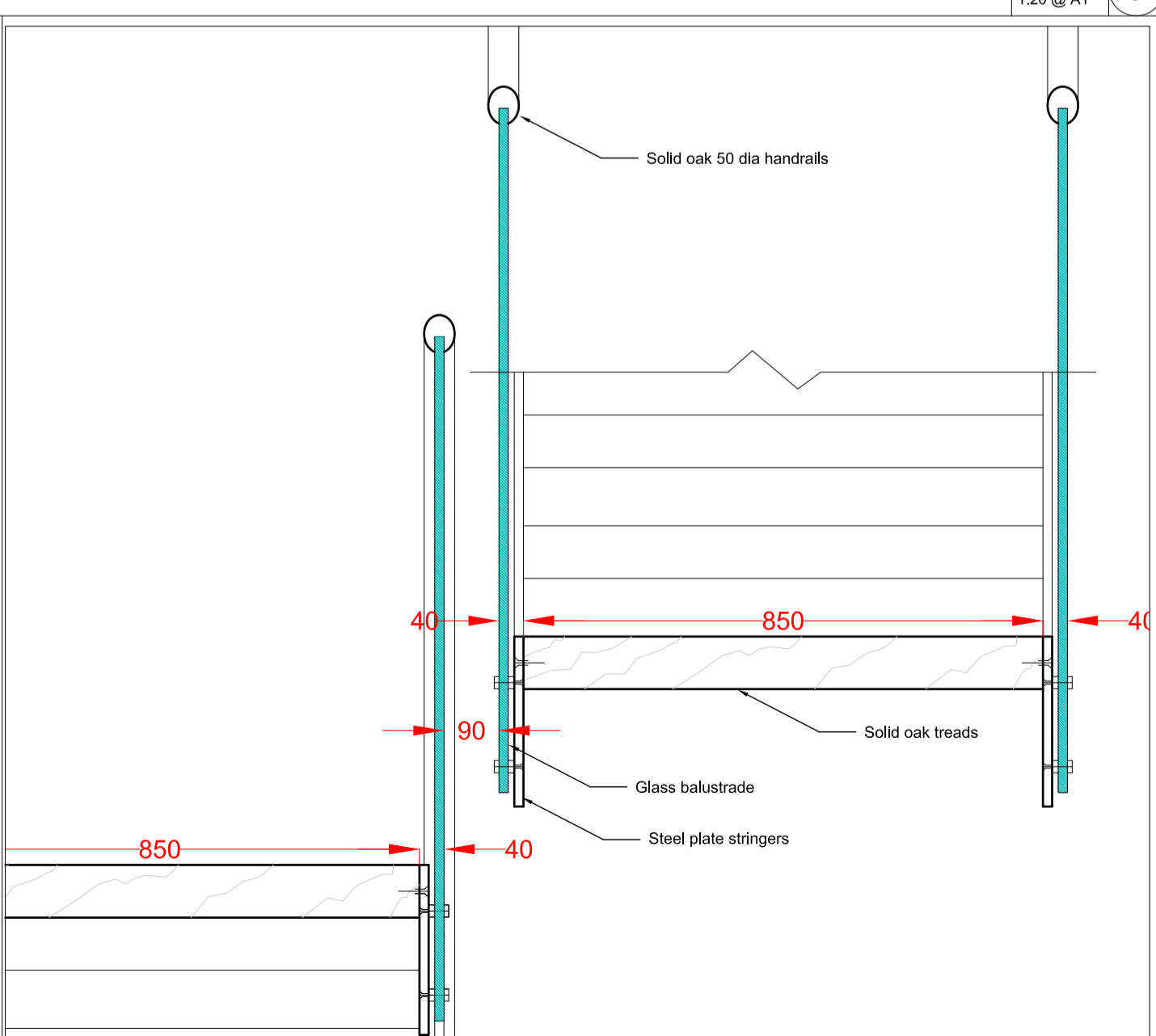
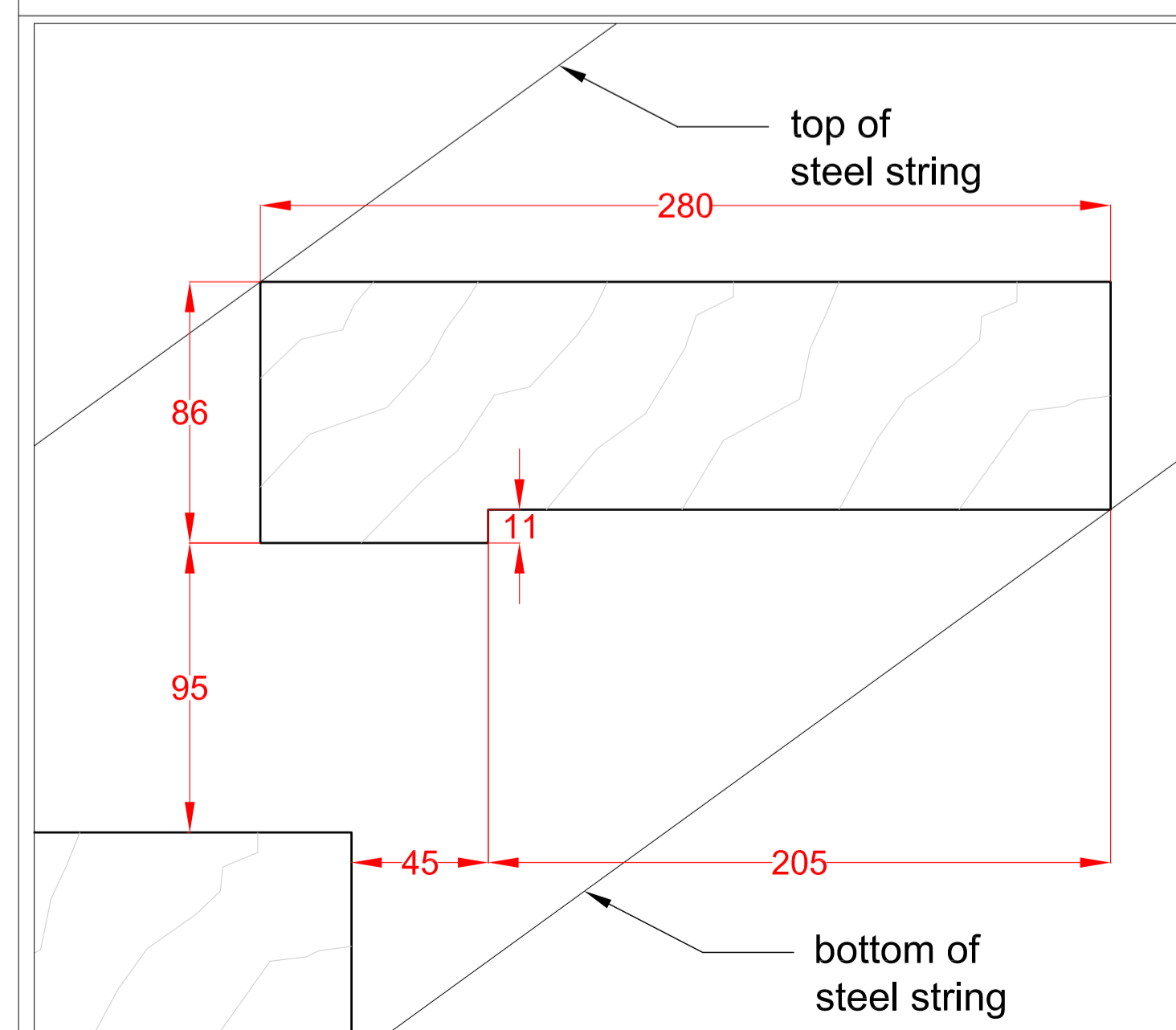
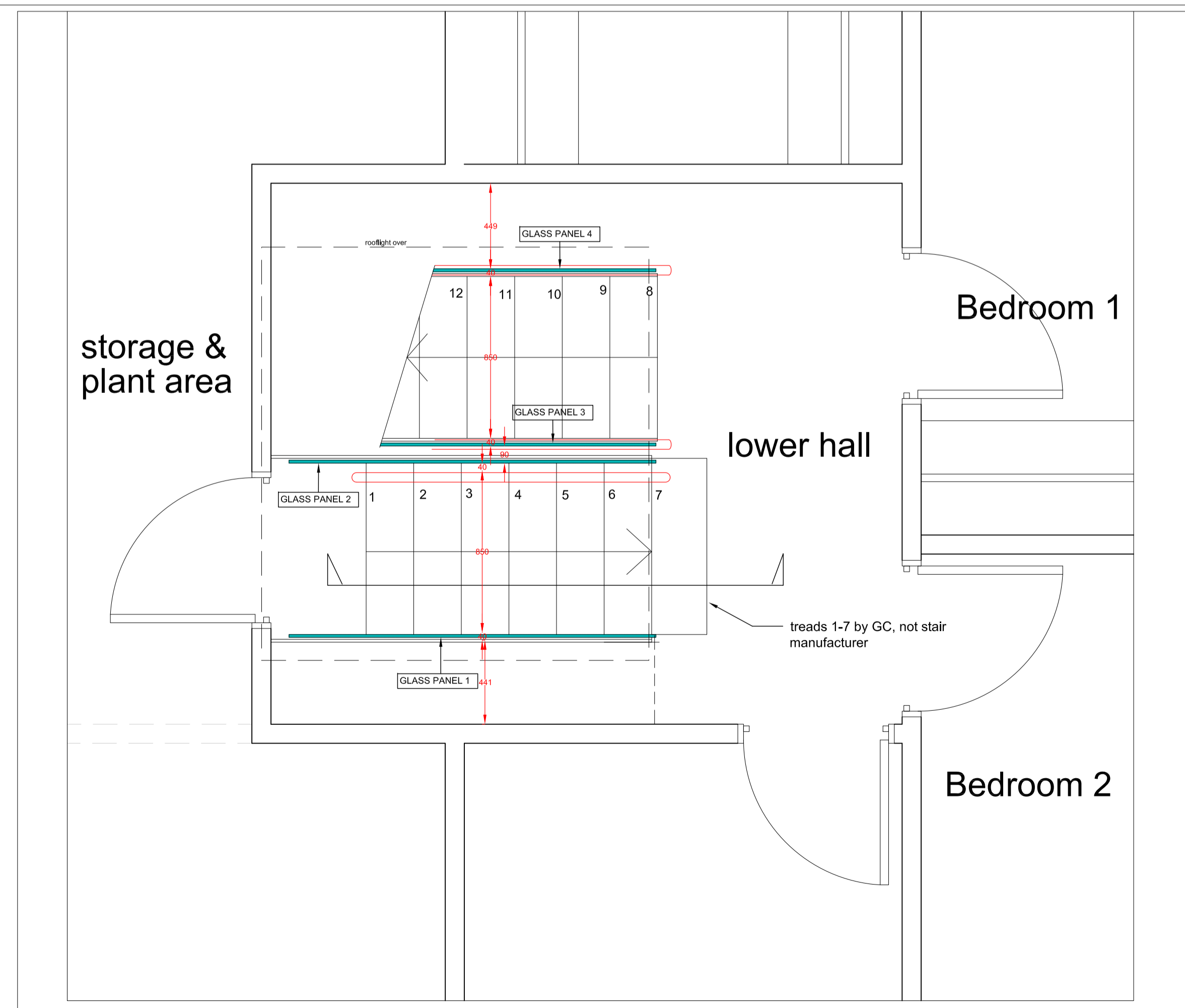
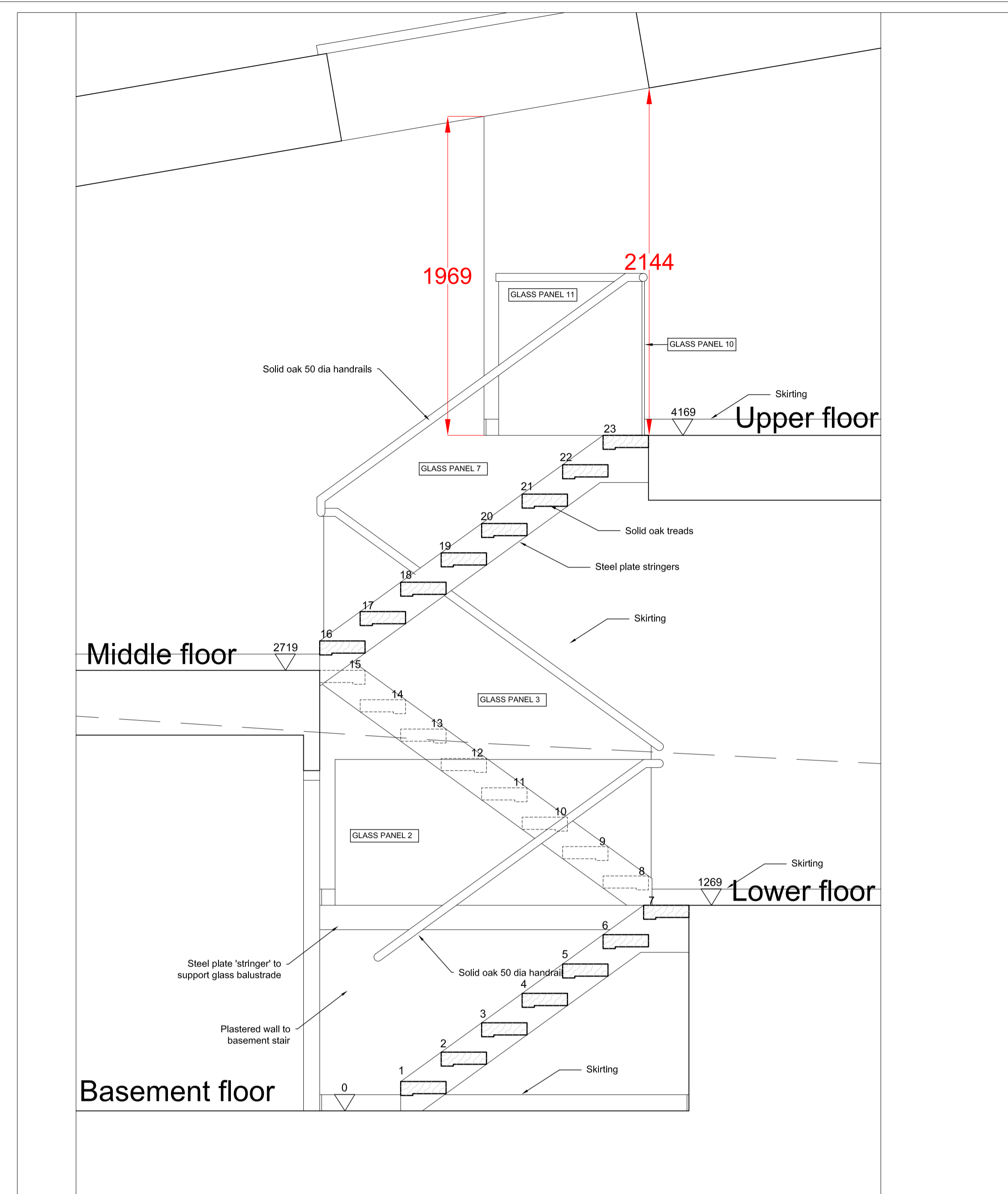
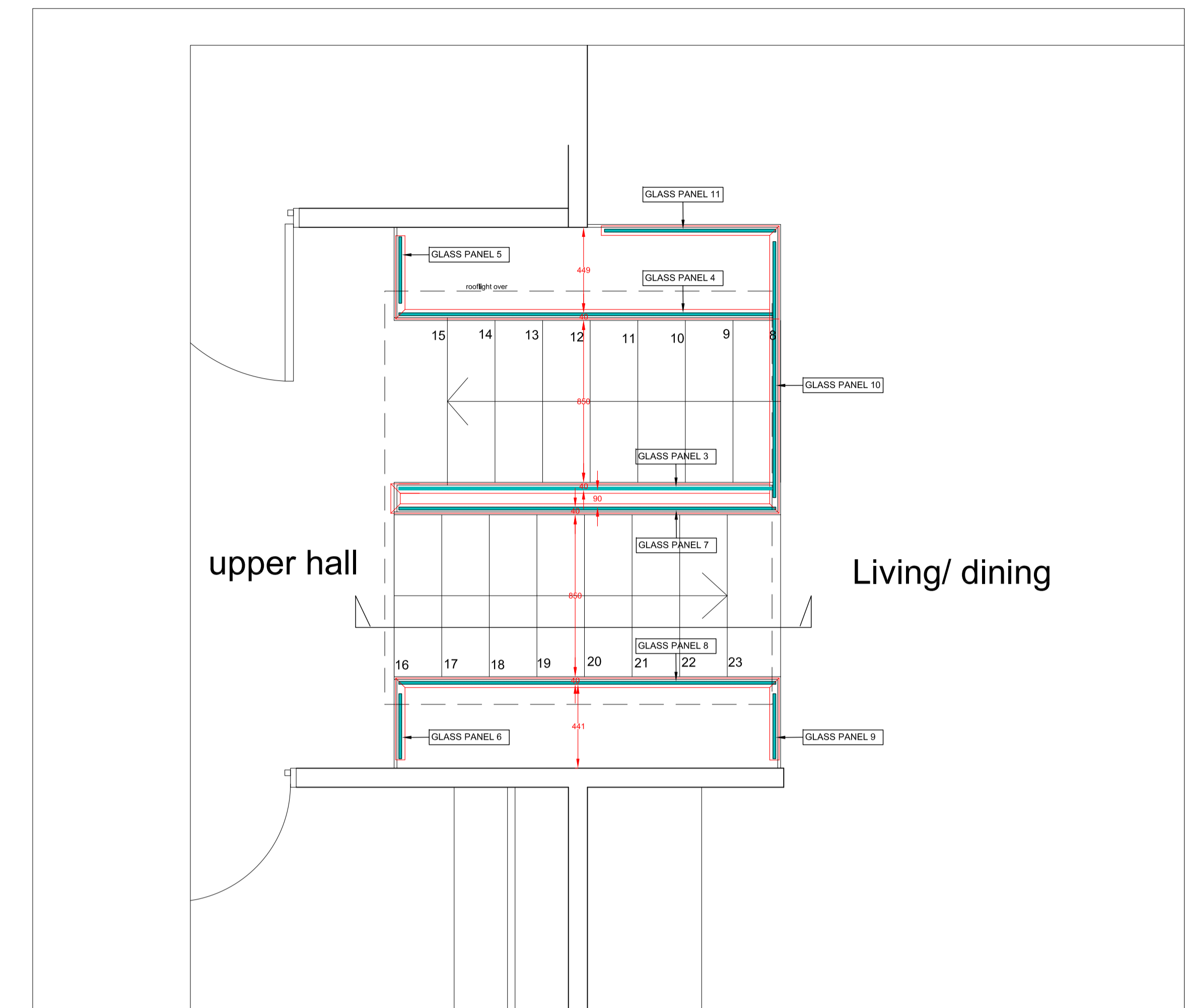


Revisions

△		
---	--	--



T: 07860 381568  
 E: matthew.wintersgill@wandmarchitects.net  
 W: www.wandmarchitects.net  
 Copyright © W&M Architects LLP  
 Do not scale from drawing  
 Any discrepancy should be referred to W&M Architects

project  
 Collins Green House  
 Ashwood Nursing Home Site  
 Burwash  
 TN19 7LT

drawing  
 Stair details  
 -  
 -  
 -

scale @ size 1:2/ 1:20/ 1:10 @ A1  
 date Sept 2022 drawnMW checked.

drg. no. 1532-30 revn -