

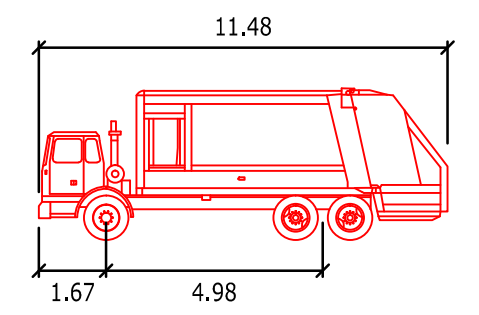


PROPOSED SIGNALISED JUNCTION ARRANGEMENT - 1:250

LARGE REFUSE OUTBOUND OF PRINCE CHARLES AVENUE - 1:250

NOTES

--- HIGHWAY BOUNDARY



KCC Refuse Vehicle
meters
Width : 2.55
Track : 2.15
Lock to Lock Time : 6.0
Steering Angle : 31.8

DRAFT

0	Lane widths amended to accommodate right turners	DH	SW	JW	Mar 20
Rev	Amendments	Dm	Chk	App	Date

Charles & Associates

Landmark House
Station Road
Hook
Hampshire
RG27 9HA
01256 628428
www.c-a.co.uk

Issued by

Park House
Park Farm
East Mallard Trust Estate
Bashmore Lane
Aylesford
Kent
ME20 6SN
01732 448120

Job Title
Hempstead Valley, Medway

Drawing Title
Proposed Mini-Roundabout Princes Ave/Prince Charles Ave

Client
Hume Planning Consultancy

Scale	1:250 @ A1	Date	Jan 2020	Designed	DH
Drawn	DH	Checked	SW	Approved	JW
Job No	17-035	Drawing No	17-035-029	Rev	0